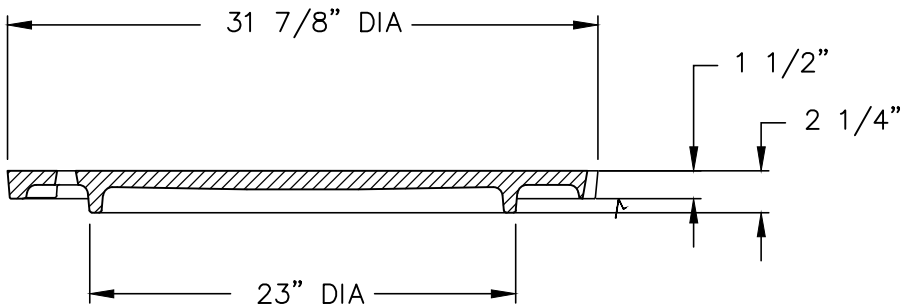


BOTTOM VIEW



COVER SECTION

NOTES:

1. ALL SANITARY SEWER MANHOLE COVERS SHALL BE LABELED "ROSENBERG TEXAS" AND "SANITARY" AND INCLUDE THE SPECIFIED LOGO.
2. 32" MANHOLE COVERS SHALL BE USED ON ALL SANITARY SEWER MANHOLES.
3. COVER AND 32" FRAME MANUFACTURED BY EAST JORDAN IRON WORKS OR APPROVED EQUAL.

THE CITY OF ROSENBERG, FORT BEND COUNTY, TEXAS
DEPARTMENT OF PUBLIC WORKS

SANITARY SEWER MANHOLE COVER

DESIGN: CFA	CAD: STAFF	SCALE: NTS	DATE: 2/18	DRAWING: S-110
----------------	---------------	---------------	---------------	-------------------