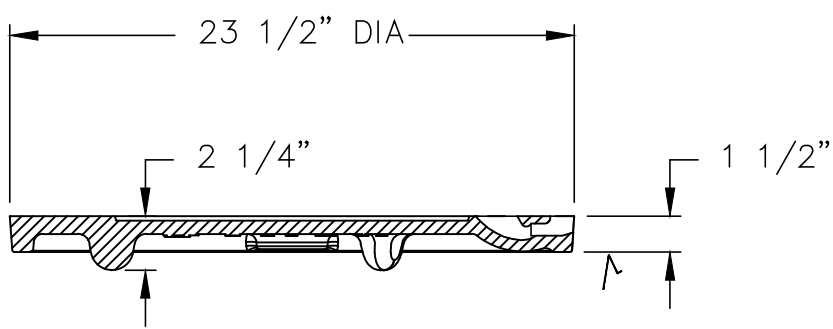


BOTTOM VIEW



SECTION

- NOTES:
1. ALL STORM SEWER MANHOLE COVERS SHALL BE LABELED "ROSENBERG TEXAS" AND "STORM" AND INCLUDE THE SPECIFIED LOGO.
 2. 24" MANHOLE COVERS SHALL BE USED ON INLETS ONLY.
 3. COVER AND 24" FRAME MANUFACTURED BY EAST JORDAN IRON WORKS OR APPROVED EQUAL.

THE CITY OF ROSENBERG, FORT BEND COUNTY, TEXAS
DEPARTMENT OF PUBLIC WORKS

STORM SEWER 24" MANHOLE COVER

DESIGN: CFA	CAD: STAFF	SCALE: NTS	DATE: 2/18	DRAWING: D-112
----------------	---------------	---------------	---------------	-------------------